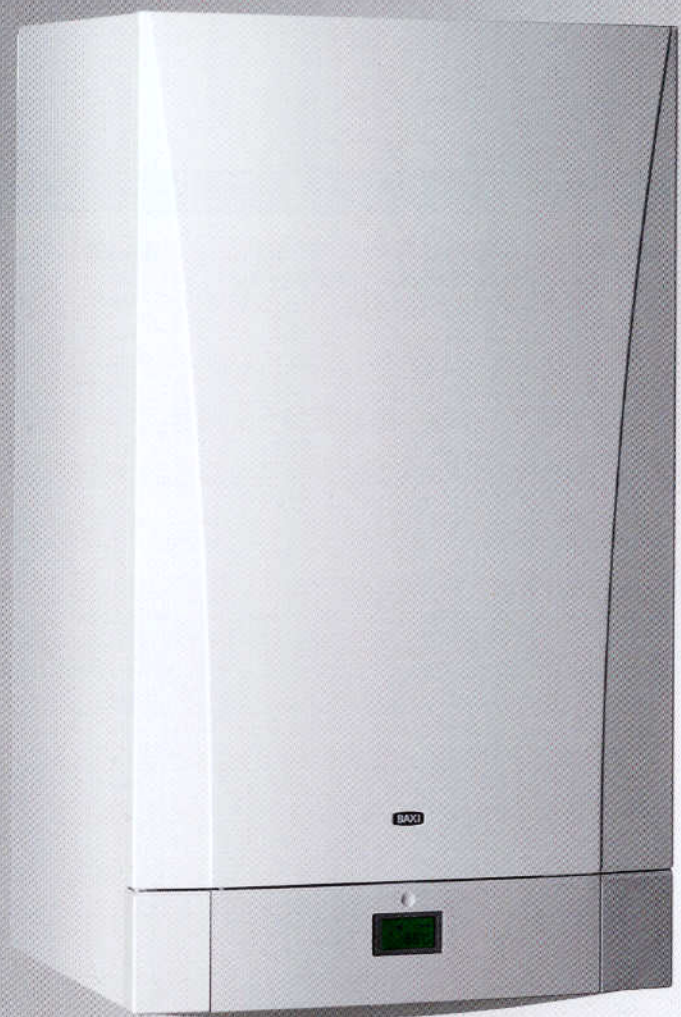


LUNA HT

**GAS CONDENSING
WALL HUNG BOILERS**



AIRA

BAXI

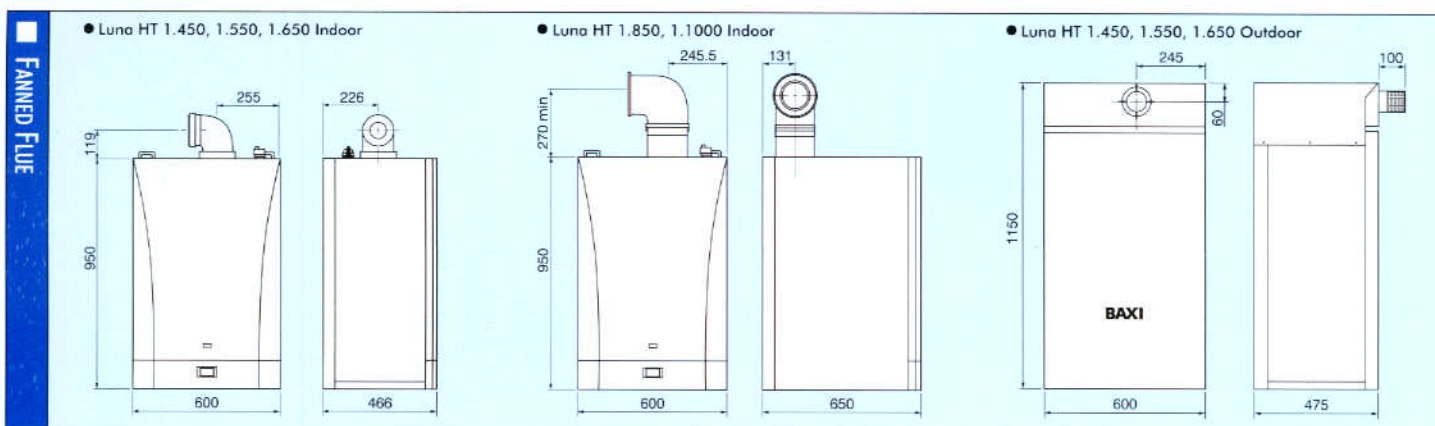


Baxi are proud to introduce a top class wall mounted condensing boiler range, combining leading edge technology, high efficiency with compact dimensions. The Luna HT range is suitable for indoor (45-100kW) and outdoor (45-65kW) installation and is available in 5 models 45, 55, 65, 85 and 100kW. Thanks to the sophisticated electronics this condensing range is ideal for single unit installations and cascade systems of up to 16 boilers in series.

FEATURES

- Modulating fan for ensuring the maximum efficiency and the constant air/gas ratio for the whole range of outputs
- BAXI by Siemens remote controller and outdoor probe option for outdoor compensation
- Text display, digital boiler programming, setting and control / double CPU microprocessor for performance optimization
- System to prevent pump sticking operating every 24 hours
- Anti-frost device
- Mixed system control (high and low temperature) and cascade installation option
- Connection available for indirect DHW cylinder
- Electrical connection for heating and DHW pump

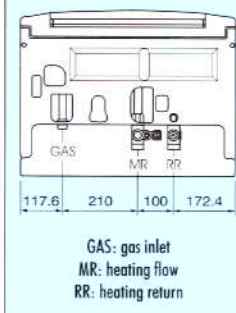
- ✓ **OUTPUT RANGE FROM 45 TO 100 kW**
- ✓ **PREMIXING BURNER**
- ✓ **STAINLESS STEEL HEAT EXCHANGER**



TECHNICAL DATA

		HT 1.450 Indoor/Outdoor	HT 1.550 Indoor/Outdoor	HT 1.650 Indoor/Outdoor	HT 1.850 Indoor	HT 1.1000 Indoor
Rated heat output 80 deg C	kW	45	55	65	85	100
Rated heat output 50 deg C	kW	48.7	59.5	70.3	91.6	110.3
Reduced heat output	kW	14.5	15.5	19.3	29.3	29.8
Nominal gas consumption	MJ/h	167	204	241	348.8	368
Central heating system max	kPa	300	300	300	300	300
Heating circuit Temperature range	deg C	25-80	25-80	25-80	25-80	25-80
Concentric flue duct diameter	mm	80	80	80	110	110
Concentric air duct diameter	mm	125	125	125	160	160
2-pipe flue duct diameter	mm	80	80	80	110	110
2-pipe air duct diameter	mm	80	80	80	110	110
Max flue temperature	deg C	74	78	75	74	79
Type of Gas used	-	NG / Propane	NG / Propane	NG / Propane	NG / Propane	NG / Propane
Gas pressure	kPa	1.13 / 2.75	1.13 / 2.75	1.13 / 2.75	1.13 / 2.75	1.13 / 2.75
Power supply voltage / frequency	-	240V AC / 50 Hz	240V AC / 50 Hz	240V AC / 50 Hz	240V AC / 50 Hz	240V AC / 50 Hz
Power consumption	watts	75	80	125	150	200
Net weight indoor / outdoor	kg	64 / 67	68 / 71	72 / 75	94	98
Dimensions indoor	Height mm	950	950	950	950	950
	Width mm	600	600	600	600	600
	Depth mm	466	466	466	650	650
Dimensions outdoor	Height mm	1150	1150	1150	-	-
	Width mm	600	600	600	-	-
	Depth mm	475	475	475	-	-
Gas Inlet - (GAS)	Inches BSP	3/4"	3/4"	3/4"	1"	1"
Heating flow - (MR)	Inches BSP	1"	1"	1"	1 1/2"	1 1/2"
Heating return - (RR)	Inches BSP	1"	1"	1"	1 1/2"	1 1/2"
Efficiency @ 50 deg C	%	96	96	96	96	96
Efficiency @ 80 deg C	%	90	90	90	90	90

CONNECTIONS



Certified by
The Australian
Gas Association
AGA Cert. No. 7023

Due to our constant endeavour for improvement, we reserve the right to change product specification without notice.



Melbourne

Phone: 61 3 9728 5566
Fax: 61 3 9761 4732

Sydney

Phone: 61 2 9822 8900
Fax: 61 2 9822 8988

Adelaide

Phone: 61 8 8346 6182
Fax: 61 8 8346 6129

Perth

Phone: 61 8 9258 5670
Fax: 61 8 9258 5671