

# AIRA

# FTC

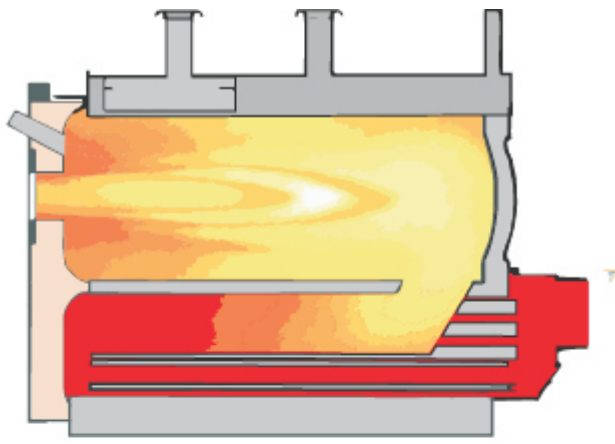
## 3 PASS CONDENSING BOILER

- High efficiency up to 95%
- Full Modulating burner
- Stainless Steel condensing section
- Low 25° C Return water temperature
- 500 kPa Operating Pressure (options to 1000 kPa)
- Remote BMS compatible
- AGA Approved Gas Train
- 2.5 - 7.0 ka Gas Pressure



ISO 9001  
BUREAU VERITAS  
Certification

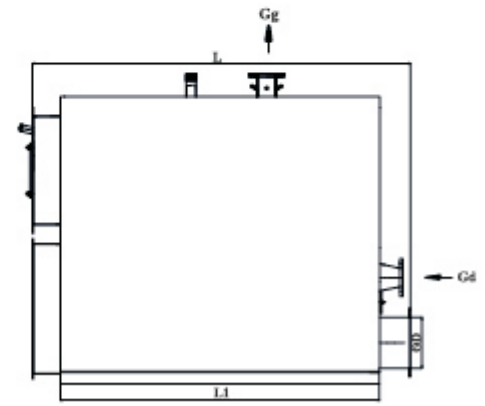
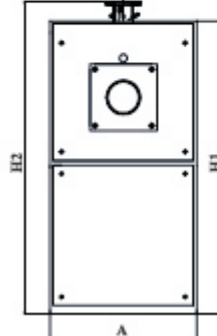
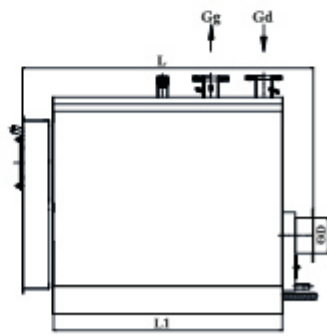
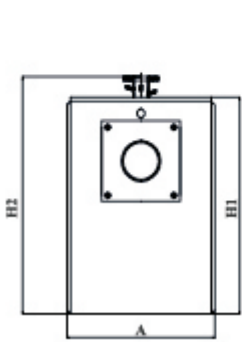




### 3 Pass Condensing Boiler Burning Principle

150 - 300

400 - 1000



FTC MODEL	150	200	250	300	400	510	600	700	860	1000
Capacity (kW)	150	200	250	300	400	510	600	700	860	1000
L (mm)	1692	1793	1942	2100	2220	2235	2440	2645	2470	2868
L1 (mm)	1302	1403	1552	1705	1800	1800	2000	2205	2005	2405
A (mm)	875	875	905	905	835	930	930	930	1012	1012
H1 (mm)	1245	1245	1295	1295	1590	1735	1735	1735	1920	1920
H2 (mm)	1410	1410	1460	1460	1705	1845	1845	1845	2035	2035
Chimney (ØD mm)	200	200	250	250	300	300	300	300	400	400
Boiler Going (Gg)	DN 80	DN 80	DN 100	DN 100	DN 100	DN 100	DN 125	DN 125	DN 125	DN 150
Boiler Return (Gd)	DN 80	DN 80	DN 100	DN 100	DN 100	DN 100	DN 125	DN 125	DN 125	DN 150
Safety Valve	DN 40	DN 40	DN 50	DN 50	DN 50	DN 50	DN 65	DN 65	DN 65	DN 80
Water Volume (Lt)	492	523	585	625	524	535	630	723	807	960

