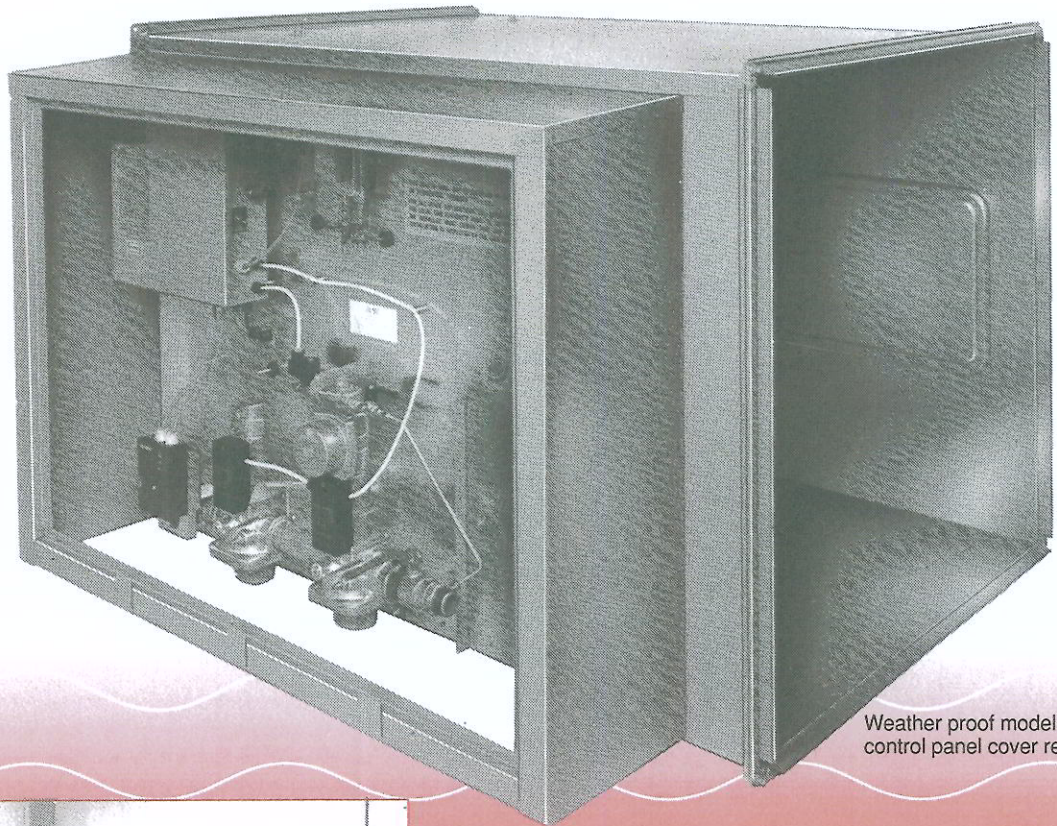


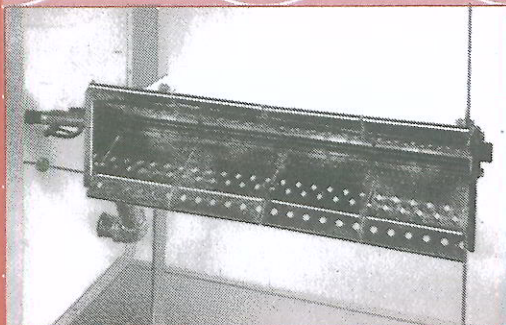
AIRA

GDH series Direct Fired Duct Heaters

The GDH heaters are rated specially for Australian conditions which require a high air volume to heat output ratio, to fulfill the needs of a direct fired heating system.



Weather proof model with control panel cover removed.



Internal view of burner

GDH series Direct Fired Duct Heaters

Selection Tables and General Data

The prefix 'GDH' indicates gas duct heater. Numbers following indicate Model capacity in megajoules per hour (MJ/h). Heating Air Flow is rated at 14 m/s velocity over the burner with a pressure drop through the heater of 125 Pa.

Application examples for GDH heaters and C & R Coolers.

TABLE 1. Models Without Dampers

For installations requiring the same air flow for heating and cooling.

GDH Model	Nominal Cooler Match	Air Quantity L/S		kW at 1.75 kPa	kW at 1.12 kPa
		Max.	Min.		
2500	AL33/36	20,000	15,000	732	—
2110	AL30	14,500	9,000	586	390
1585	AL25	8,800	6,000	440	293
1055	AL22	5,800	4,400	293	176
790	AL18	4,200	2,400	220	148
525	AL15	2,200	1,500	117	100

TABLE 2. Models With Dampers

For installations requiring reduced air flow on heating, cooler runs on high speed for heating and cooling. Lower air flow for heating is effected by dampers closing to about one third of high speed air flow.

GDH Model	Nominal Cooler Match	Cooling Air (l/s) Min to Max	Heating Air (l/s) Min to Max	kW at 1.75 kPa	kW at 1.12 kPa
1500	AL36	15,000 to 21,000	7,500 to 11,000	440	293
1100	AL30	10,000 to 14,500	4,500 to 7,000	259	172
340	AL25	6,500 to 9,500	2,200 to 4,500	132	94
265	AL22	4,000 to 6,400	1,400 to 2,200	110	75
210	AL18	2,800 to 4,500	900 to 1,400	87	58

Dimensions

Model	A mm	B mm	C mm	Max. Input MJ	Gas Connect Size mm	Min. Gas Supply kPa	Max. Gas Supply kPa	Approx Weight Kg
GDH 2500	1500	1400	310	2500	40	*	7	125
GDH 2110	1500	1150	310	2110	40	*	7	138
GDH 1585	1500	990	310	1585	40	*	7	116
GDH 1500	1500	1400	310	1500	40	*	7	120
GDH 1100	1500	1150	310	1100	40	*	7	136
GDH 1055	1500	915	310	1055	32	*	7	87
GDH 790	1500	762	310	790	25	*	7	71
GDH 525	1500	610	310	525	20	*	7	66
GDH 340	1500	990	310	340	20	*	7	71
GDH 285	1500	915	310	285	20	*	7	64
GDH 210	1500	762	310	210	20	*	7	35
GDH 160	1500	610	310	160	20	*	7	32

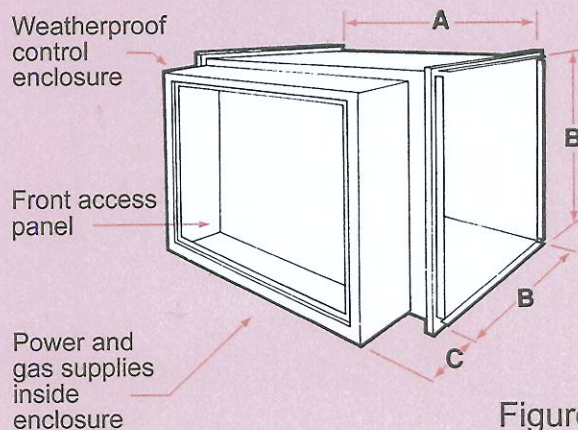


Figure 1

Standard Unit Details:

- Suitable for indoor/outdoor use.
- On/Off with intermittent fan.
- Horizontal or Vertical units available.
- Single angle iron frame fitted each end.
- Switch and thermostat for location in the heated area.

Extra Cost Options Available:

- Remote control panel incorporating time clock.
- Lockout light and thermostat.
- Modulating burner control (make up air or continuous ventilation applications).

AIRA PTY. LTD.
ABN 38 005 058 364

Victoria
144 Colchester Rd.
KILSYTH 3137 Australia
Tel: (03) 9728 5566
Fax: (03) 9761 4732
email: aira@aira.com.au

New South Wales
AIRA Pty. Ltd.
3/46 Seton Road.
MOOREBANK 2170
Tel: (02) 9822 8900
Fax: (02) 9822 8988

South Australia
AIRA Pty. Ltd.
2/12-14 Tikalara Street
REGENCY PARK 5010
Tel: (08) 8346 6182
Fax: (08) 8346 6129